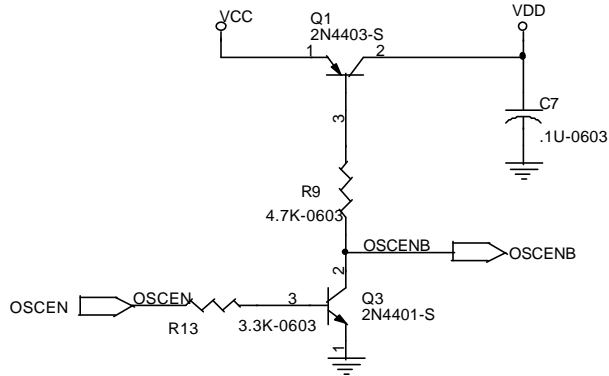
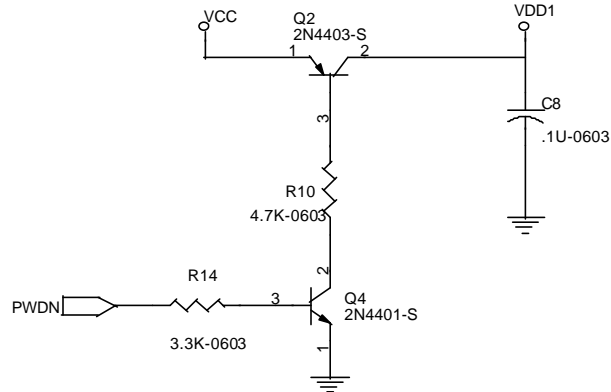


OmniVision Technologies, Inc.		
Title	USB Camera System	930 Thompson Place Sunnyvale, CA 94086
Size	Document Number	Rev
A	USB Controller (OV511PLUS)	1.01
Date:	Wednesday, February 16, 2000	Sheet 1 of 6

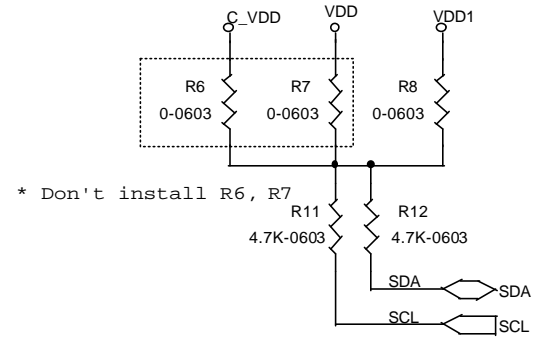
* DRAM & oscillator power switch



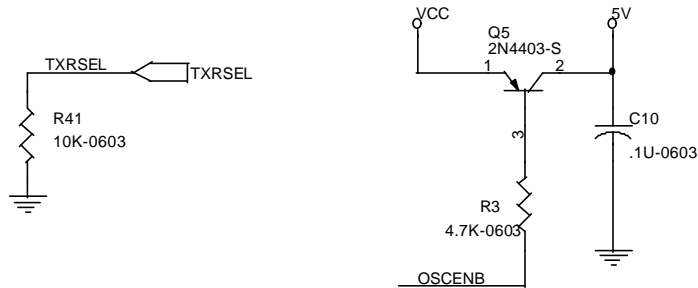
* Camera power switch



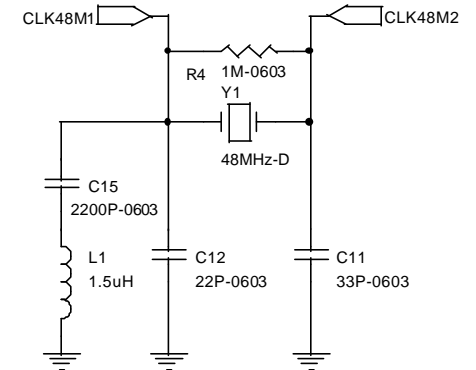
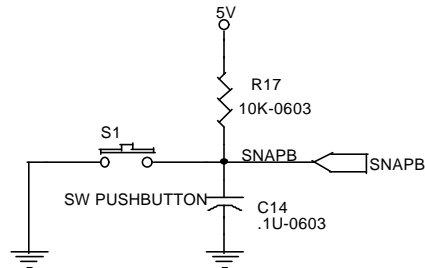
* I2C pull-up resistors



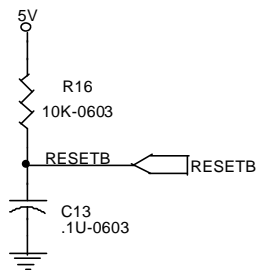
* Suspend: 5V --> 4.5V



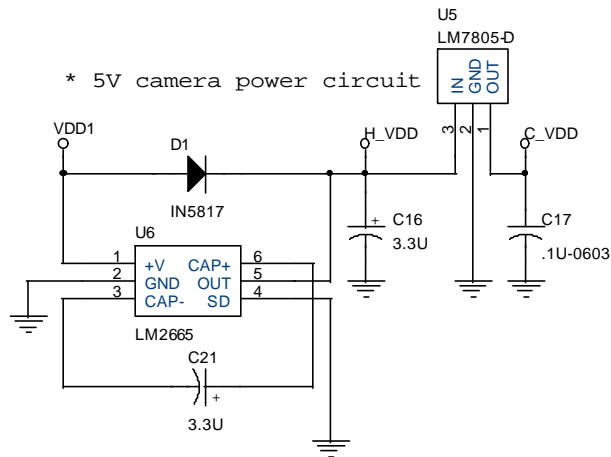
* Snap shot



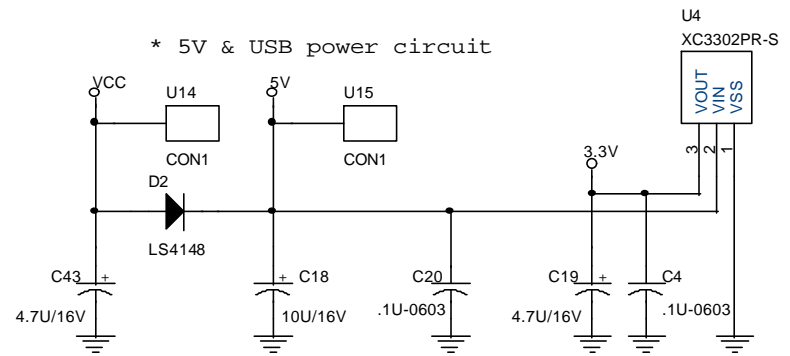
* Reset



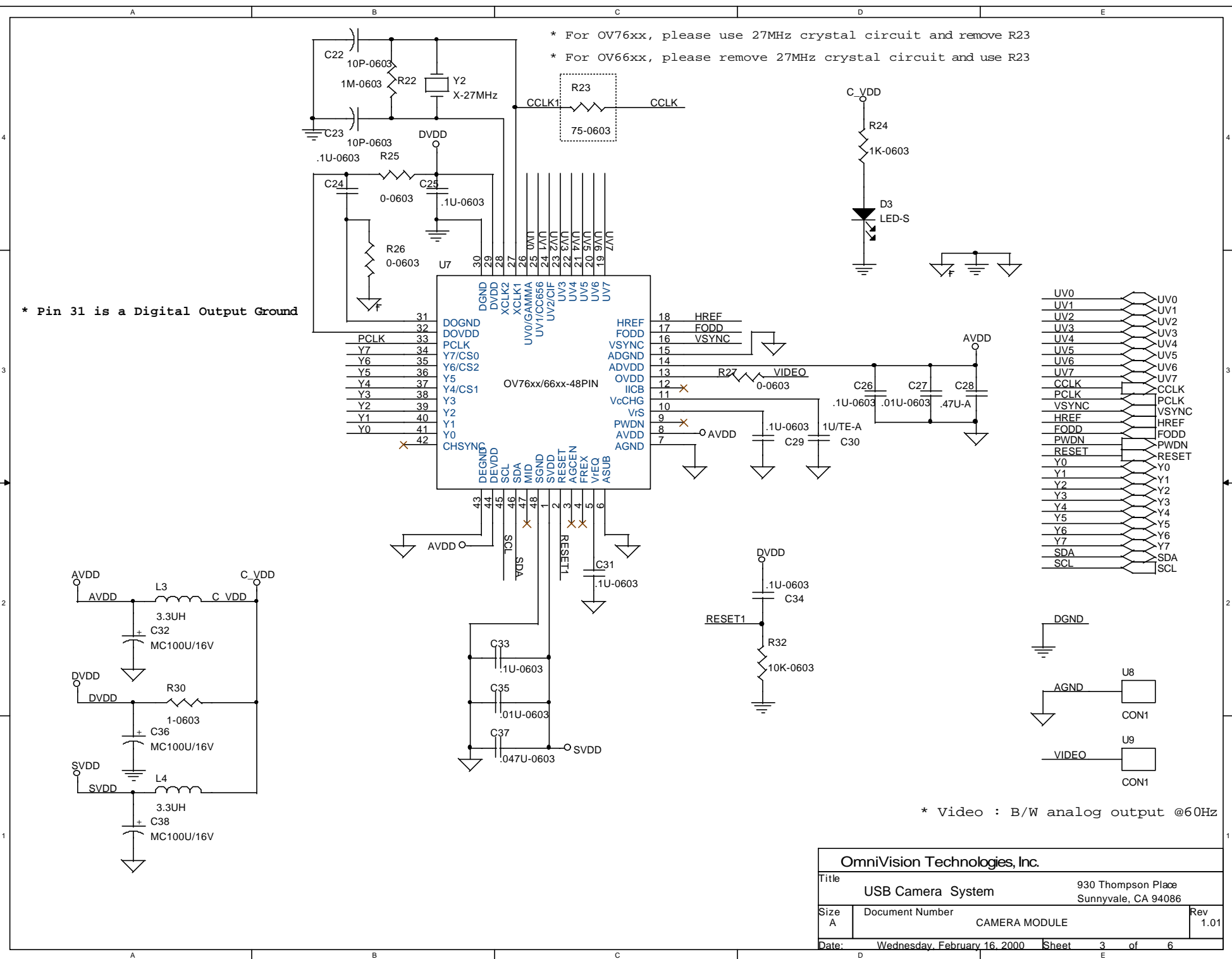
* 5V camera power circuit



* 5V & USB power circuit

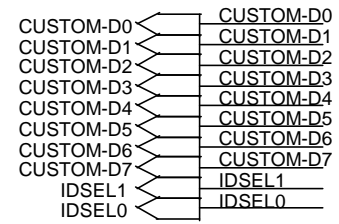
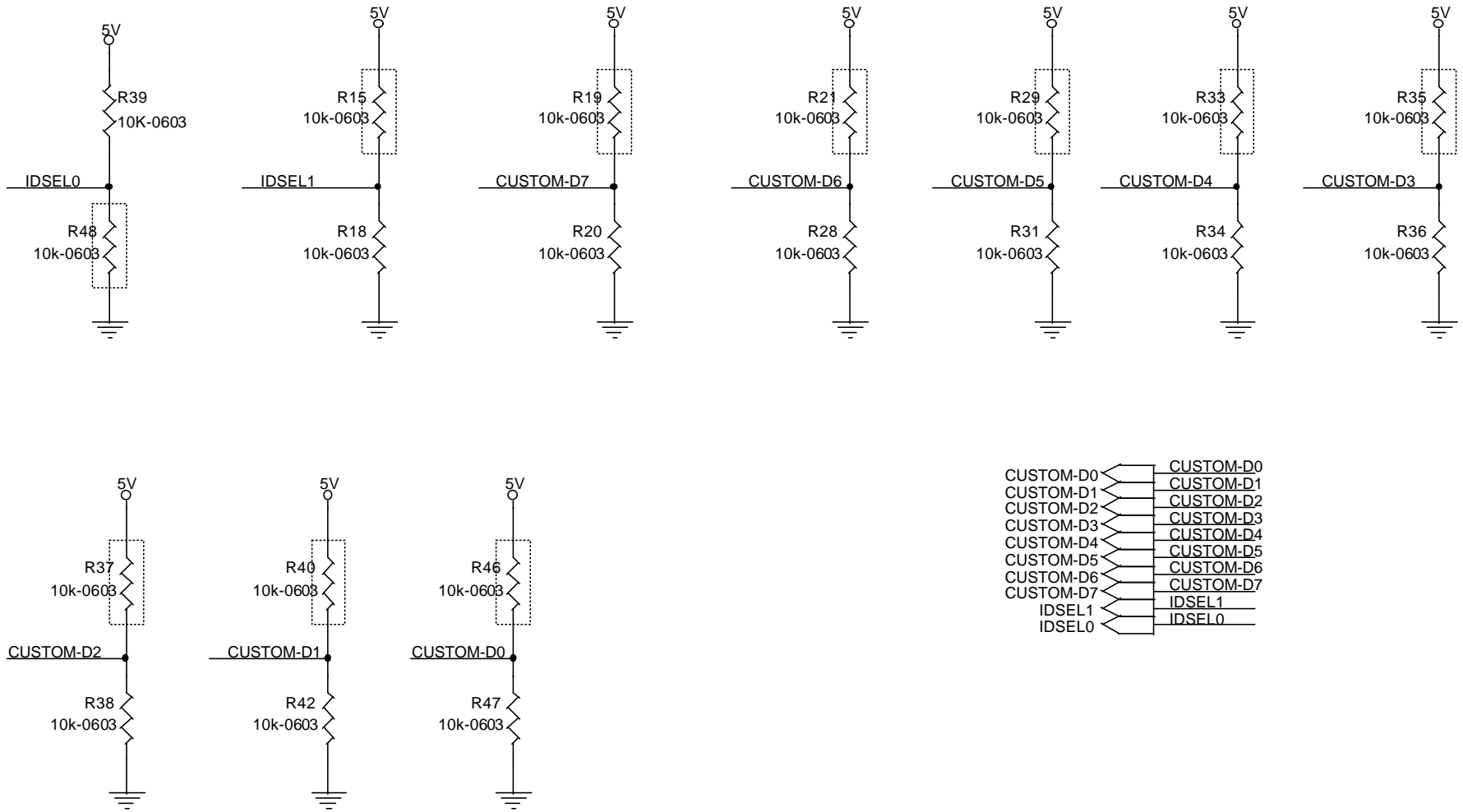


OmniVision Technologies, Inc.			
Title USB Camera System			
Size A	Document Number Power and control	930 Thompson Place Sunnyvale, CA 94086	Rev 1.01
Date:	Wednesday, February 16, 2000	Sheet 2 of 6	



OmniVision Technologies, Inc.			
Title		930 Thompson Place	
USB Camera System		Sunnyvale, CA 94086	
Size	Document Number	CAMERA MODULE	Rev
A			1.01
Date:	Wednesday, February 16, 2000	Sheet	3 of 6

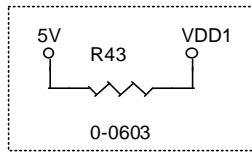
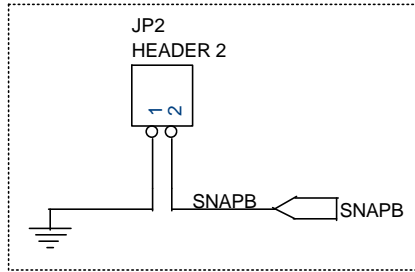
* ID Select OVT



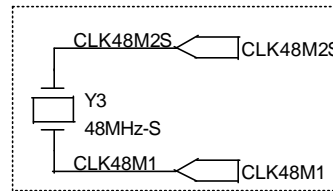
OmniVision Technologies, Inc		
Title USB Camea System		
Size A	Document Number CUSTOM ID and control	Rev 1.01
Date:	Wednesday, February 16, 2000	Sheet 4 of 6

* Don't install parts on this page

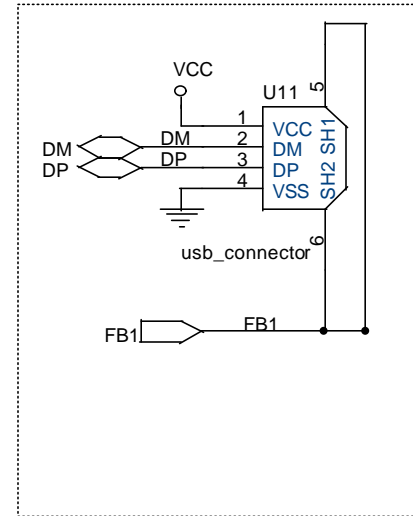
* Snap shot header



* 48MHz SMD Crystal

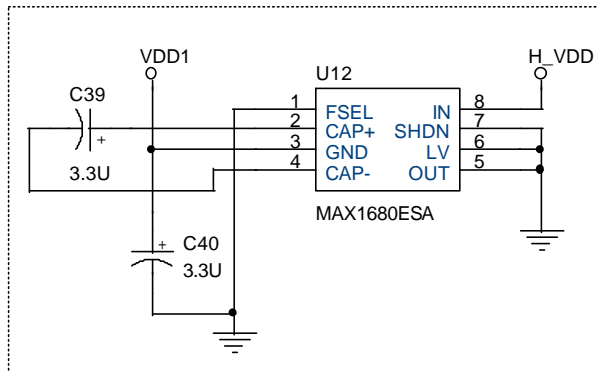


* USB connector

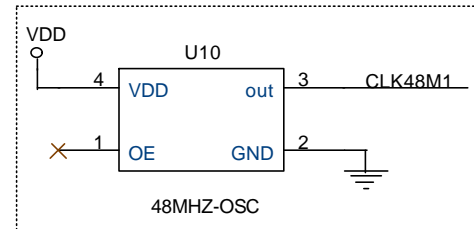


* Short L5

* Doubler



* 48MHz Oscillator



OmniVision Technologies, Inc.

Title
USB Camera System

Size A	Document Number Options	930 Thompson Place Sunnyvale, CA 94086	Rev 1.01
-----------	----------------------------	---	-------------

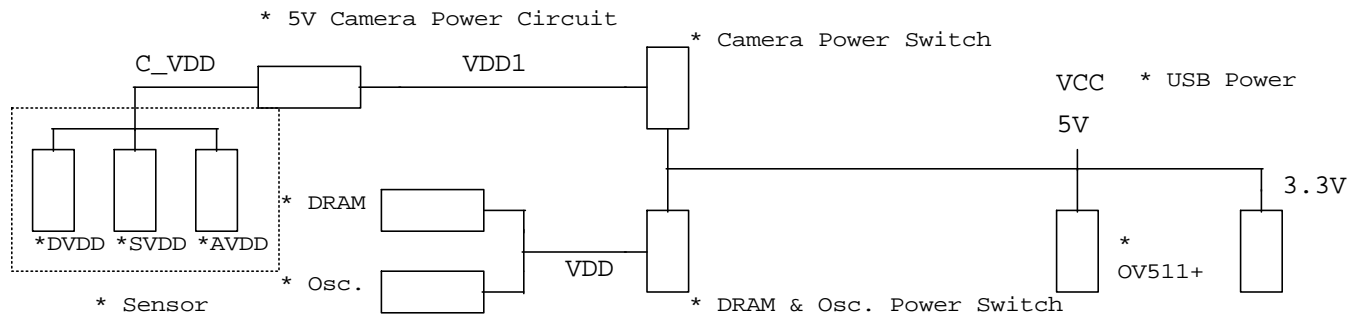
Date: Wednesday, February 16, 2000 Sheet 5 of 6

OmniVision Technologies, Inc.

OV511PLUS USB Camera System

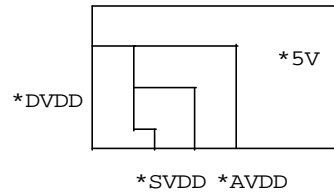
Rev. 1.01

Power Scheme :

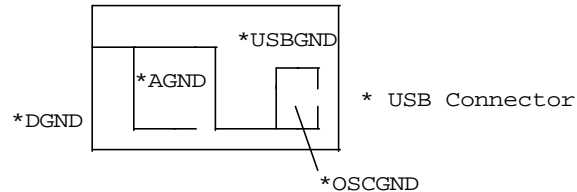


PCB Layout Notice :

1. Power Plane : Separates to 4 planes, DVDD, SVDD, AVDD, 5V



2. Ground Plane : Separates to 4 planes, DGND, AGND, OSCGND, USBGND, with single point connections



Modification

1. Change R5 from 240ohm (Rev1.0) to 100ohm (Rev1.01) for 48MHz crystal oscillating and EMI.

OmniVision Technologies, Inc.		
Title		930 Thompson Place Sunnyvale, CA 94086
Size A	Document Number Release Notice	Rev 1.01
Date:	Wednesday, February 16, 2000	Sheet 6 of 6